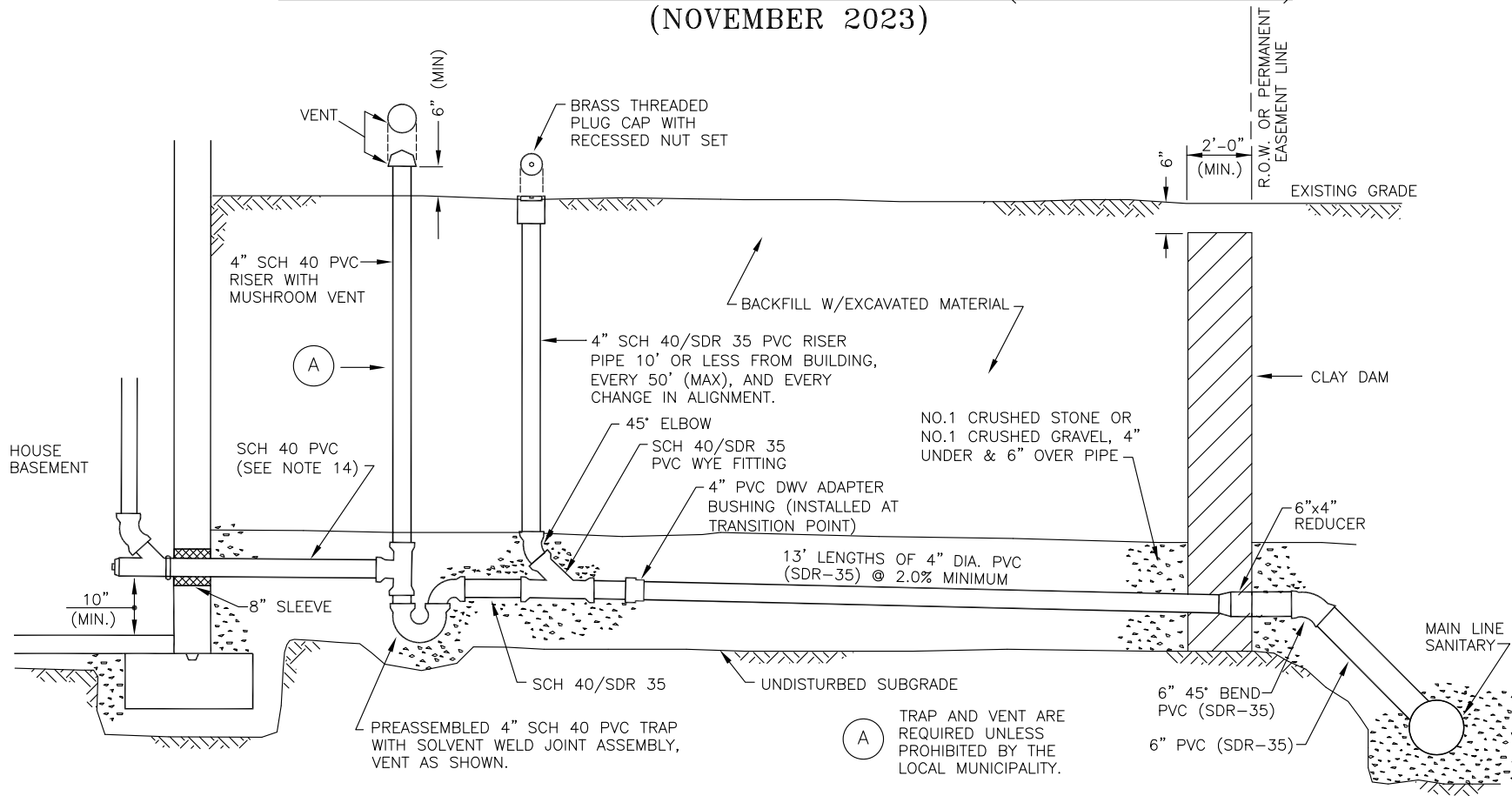


TYPICAL HOUSE SERVICE DETAIL (NEW BUILDS)

(NOVEMBER 2023)



NOTES:

1. NO INSPECTION WILL BE PROVIDED WITHOUT A PERMIT. INSPECTIONS REQUIRE 48 HR. ADVANCE NOTICE FOR SCHEDULING.
2. ALL WORK MUST BE INSPECTED BY A COUNTY INSPECTOR.
3. PVC PIPE MATERIAL SHALL BE MANUFACTURED IN ACCORDANCE WITH THE REQUIREMENTS OF THE LATEST ASTM SPECIFICATION D-3033/D-3034.
4. A MANUAL VALVE SHALL BE INSTALLED ON BASEMENT LAUNDRY DRAIN LINE.
5. CLEANOUTS MUST BE INSTALLED IN LAWN AREAS, NOT IN SIDEWALK OR DRIVEWAY AREAS, PREFERABLY BETWEEN THE CURB OR EDGE OF PAVEMENT AND THE SIDEWALK.
6. SELECT BACKFILL REQUIRED UNDER PAVED AREAS.
7. CONCRETE ENCASUREMENT IF COVER DEPTH IS LESS THAN 4'-0" UNDER PAVED AREAS.
8. AN 8"x6" WYE WITH 6" PVC TO 6" 45° BEND, THEN 6"x4" REDUCER IS USED.
9. A 6" CLEANOUT IS REQUIRED AT R.O.W. WHENEVER THE MAIN SEWER IS UNDER THE PAVEMENT LIMITS OR AT FAR SIDE OF PAVEMENT.
10. ANY EXCAVATION TO BE LEFT OPEN OVERNIGHT SHALL BE COMPLETELY ENCLOSED IN FENCING, OR WHERE NECESSARY, COVERED WITH STEEL PLATES.
11. DOWN SPOUTS, SUMP PUMPS, AND FOOTING DRAINS ARE NOT PERMITTED TO BE CONNECTED TO THE HOUSE LATERAL.
12. NO CONNECTION SHALL BE MADE UNTIL BUILDING ROOF IS ERECTED AND BASEMENT FLOOR IS POURED.
13. SEPTIC TANKS MUST BE ABANDONED PER NYSDEC APPROVED METHODS.
14. IF THE PIPE EXITING THE HOME IS CAST IRON, A MISSION COUPLING IS REQUIRED BEFORE TRAP.

File: V:\DSM\Engineering\CAD\Details\Details November 2023\D-21.dwg, Last saved: 3/15/2024, Plot Date: 3/15/2024, Plot Style: DETAILS.CTB

ERIE COUNTY
DEPT. OF ENVIRONMENT & PLANNING
DIVISION OF SEWERAGE MANAGEMENT

Rev. 11/08	ADDED PVC TRAP AND SLEEVE
Rev. 01/12	REVISED 4" CAST IRON TRAP
Rev. 10/21	REMOVED VENT, RISER, AND TRAP ASSEMBLY
Rev. 11/23	ADDED VENT, RISER, TRAP ASSEMBLY & (A)
Rev. 3/24	CHANGED VENT, RISER, TRAP TO SCH 40

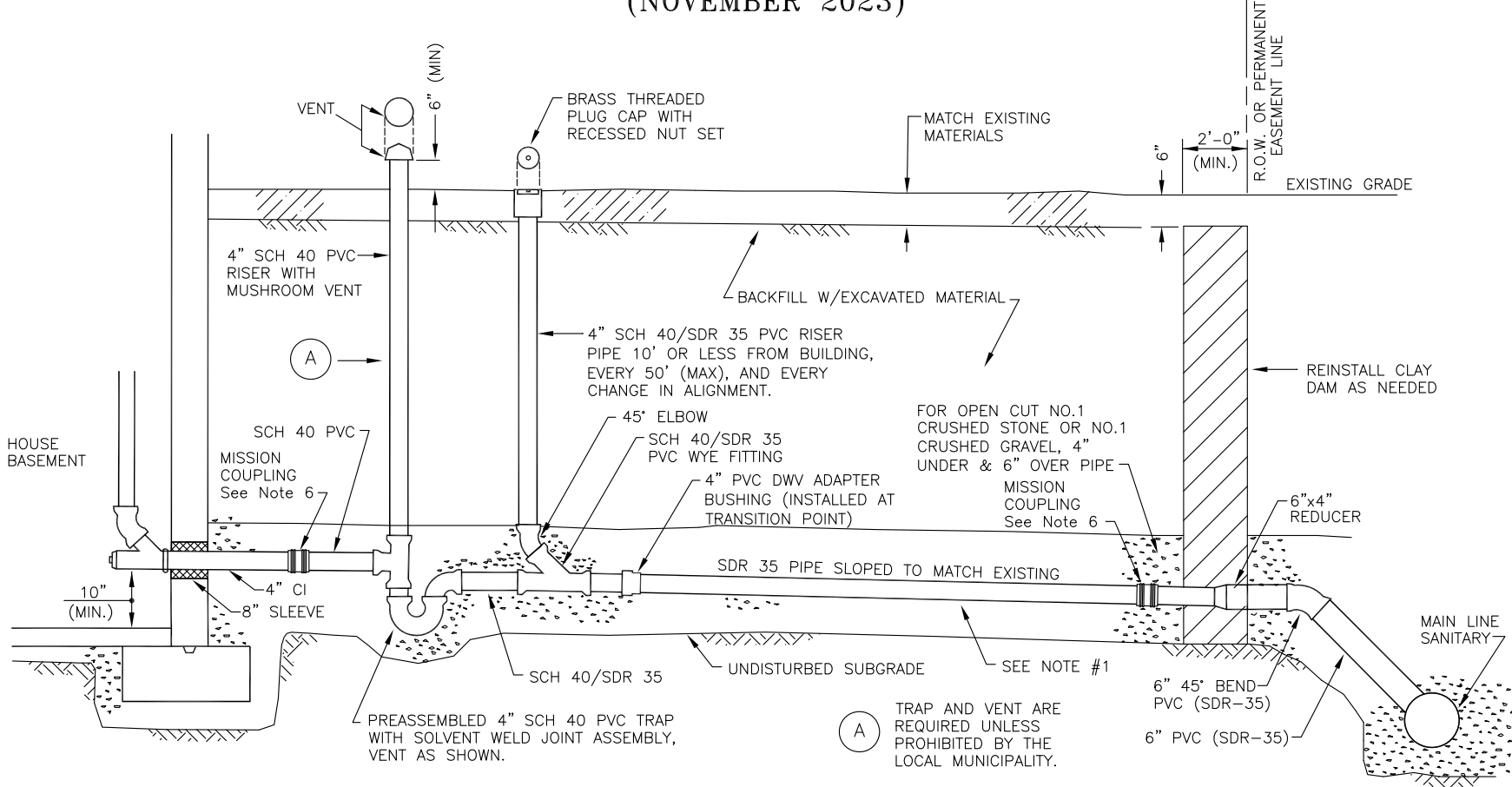
File: d-21 **Date:** 3/1/91

STD. DETAIL

21

TYPICAL HOUSE SERVICE DETAIL (REPAIR)

(NOVEMBER 2023)



- NOTES:
1. ACCEPTABLE INSTALLATION METHODS:
 A. OPEN CUT - USE SCH 40/SDR-35 PVC
 B. PIPE BURSTING - USE HDPE PIPE
 C. CURED IN PLACE PIPE - CIPP
 2. PERMIT & INSPECTION ARE REQUIRED.
 48 HOUR NOTICE IS REQUIRED.
 3. A. CLEANOUT LOCATIONS IN ACCORDANCE WITH THE INTERNATIONAL PLUMBING CODE
 B. EVERY EFFORT SHALL BE TAKEN TO INSTALL CLEAN-OUTS IN LAWN AREAS.
 4. FOR OPEN CUT - SELECT FILL IS REQUIRED UNDER PAVED AREAS.
 5. DOWN SPOUTS, SUMP PUMPS, AND FOOTING DRAINS ARE NOT PERMITTED TO BE CONNECTED TO THE HOUSE LATERAL.
 6. COUPLING SHALL BE MISSION TYPE OR APPROVED EQUAL, LOCATION DEPENDS ON REPAIR.
 7. FOR CIPP - A POST INSTALLATION CCTV WILL BE REQUIRED.
 8. FOR CLEAN-OUTS WITH HDPE EITHER FUSE THE PIPE OR USE MISSION COUPLINGS.
 9. FOR BURSTING: FILL SLEEVE VOID WITH SAND, PEA GRAVEL, OR EQUAL. PLUG ENDS WITH MORTAR OR EQUAL.
 10. SITE SAFETY IS THE RESPONSIBILITY OF THE CONTRACTOR.

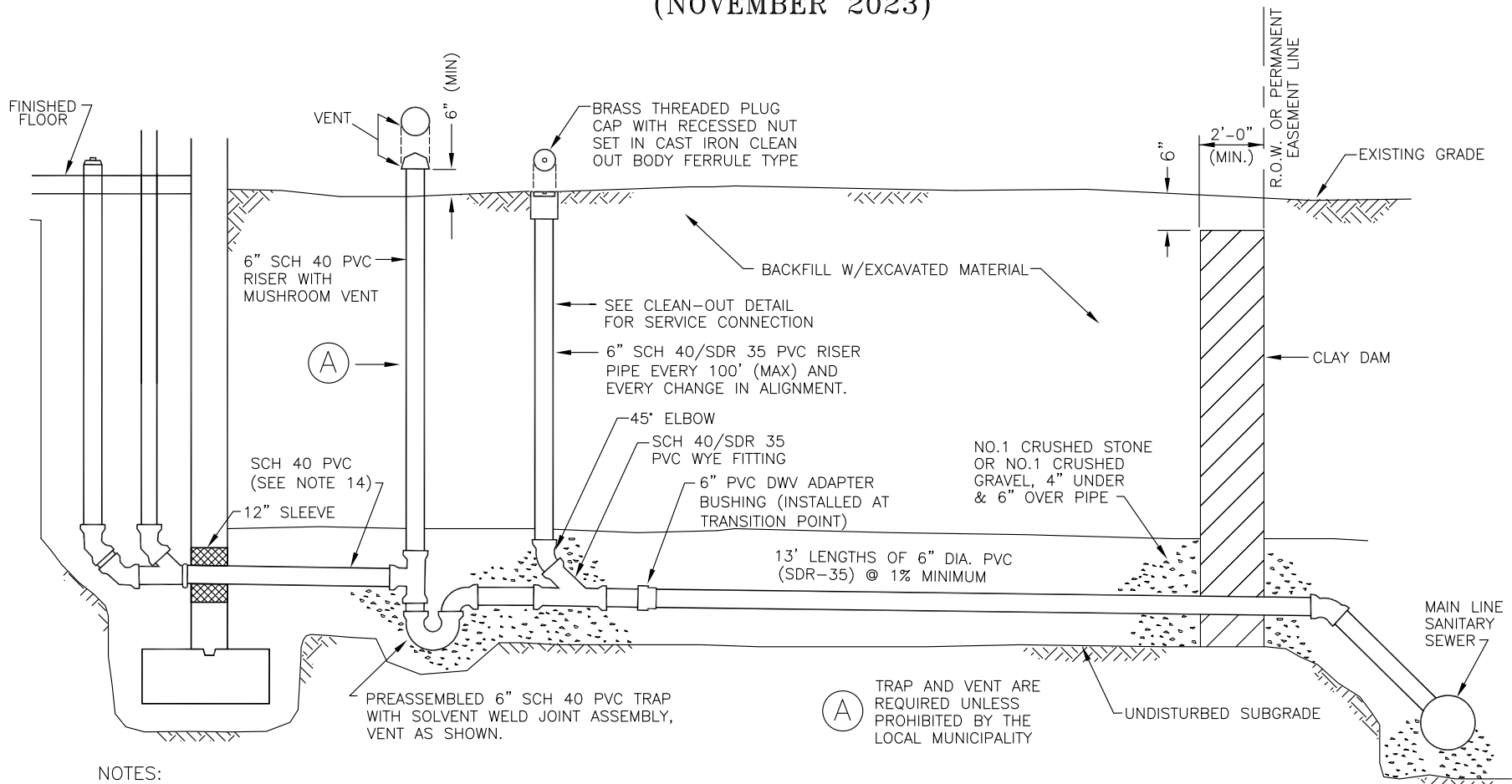
ERIE COUNTY
DEPT. OF ENVIRONMENT & PLANNING
DIVISION OF SEWERAGE MANAGEMENT

Rev. 02/18	ADDED "REPAIR" TO ORIGINAL DETAIL 21 TITLE, REMOVED NOTES 4, 7, 8, & 9 TO CREATE DETAIL 21a
Rev. 02/20	CHANGED CAULDER TO MISSION COUPLINGS, CHANGED NOTES 1-11
Rev. 10/21	ADDED (A) NOTE
Rev. 3/24	CHANGED VENT, RISER, TRAP TO SCH 40
File:	D-21a
Date:	1/18/18

STD. DETAIL

21a

TYPICAL COMMERCIAL SERVICE WITHOUT BASEMENT DETAIL (NEW BUILDS) (NOVEMBER 2023)



NOTES:

- NO INSPECTION WILL BE PROVIDED WITHOUT A PERMIT. INSPECTIONS REQUIRE 48 HR. ADVANCE NOTICE FOR SCHEDULING.
- ALL WORK MUST BE INSPECTED BY A COUNTY INSPECTOR.
- PVC PIPE MATERIAL SHALL BE MANUFACTURED IN ACCORDANCE WITH THE REQUIREMENTS OF THE LATEST ASTM SPECIFICATION D-3033/D-3034.
- CLEANOUTS MUST BE INSTALLED IN LAWN AREAS, NOT IN SIDEWALK OR DRIVEWAY AREAS, PREFERABLY BETWEEN THE CURB OR EDGE OF PAVEMENT AND THE SIDEWALK.
- SELECT BACKFILL REQUIRED UNDER PAVED AREAS.
- CONCRETE ENCASEMENT IF COVER DEPTH IS LESS THAN 4'-0" UNDER PAVED AREAS.
- MIN. DEPTH OF COVER 3'-0".
- CLEANOUT MEASUREMENTS SHALL START FROM CENTERLINE OF MAIN SEWER FOR NEARSIDE LATERALS AND FROM THE 6" CLEANOUT FOR FAR SIDE CONNECTIONS. A CLEANOUT MAY BE REQUIRED FOR ANY ABRUPT CHANGES IN LATERAL DIRECTION FLOW.
- A 6" CLEANOUT IS REQUIRED AT R.O.W. WHENEVER THE MAIN SEWER IS UNDER THE PAVEMENT LIMITS OR AT FAR SIDE OF PAVEMENT.
- SEPTIC TANKS MUST BE ABANDONED PER NYSDEC APPROVED METHODS.
- ANY EXCAVATION TO BE LEFT OPEN OVERNIGHT SHALL BE COMPLETELY ENCLOSED IN FENCING, OR WHERE NECESSARY, COVERED WITH STEEL PLATES.
- DOWN SPOUTS, SUMP PUMPS, AND FOOTING DRAINS ARE NOT PERMITTED TO BE CONNECTED TO THE LATERAL.
- NO CONNECTION SHALL BE MADE UNTIL BUILDING ROOF IS ERECTED.
- IF CAST IRON IS USED EXITING THE BUILDING, A MISSION COUPLING IS REQUIRED BEFORE THE TRAP.

ERIE COUNTY
DEPT. OF ENVIRONMENT & PLANNING
DIVISION OF SEWERAGE MANAGEMENT

Rev. 1/07	REMOVED OLD NOTES 2 AND 18 ADDED 1% MIN. TO SERVICE PIPE DETAIL
Rev. 11/08	ADDED SLEEVE AND PVC-SDR 35
Rev. 1/12	REVISED 6" CAST IRON TRAP NOTE
Rev. 10/21	REMOVED VENT, RISER, AND TRAP ASSEMBLY
Rev. 11/23	ADDED VENT, RISER, TRAP ASSEMBLY & (A)
Rev. 3/24	CHANGED VENT, RISER, TRAP ASSEMBLY SCH 40

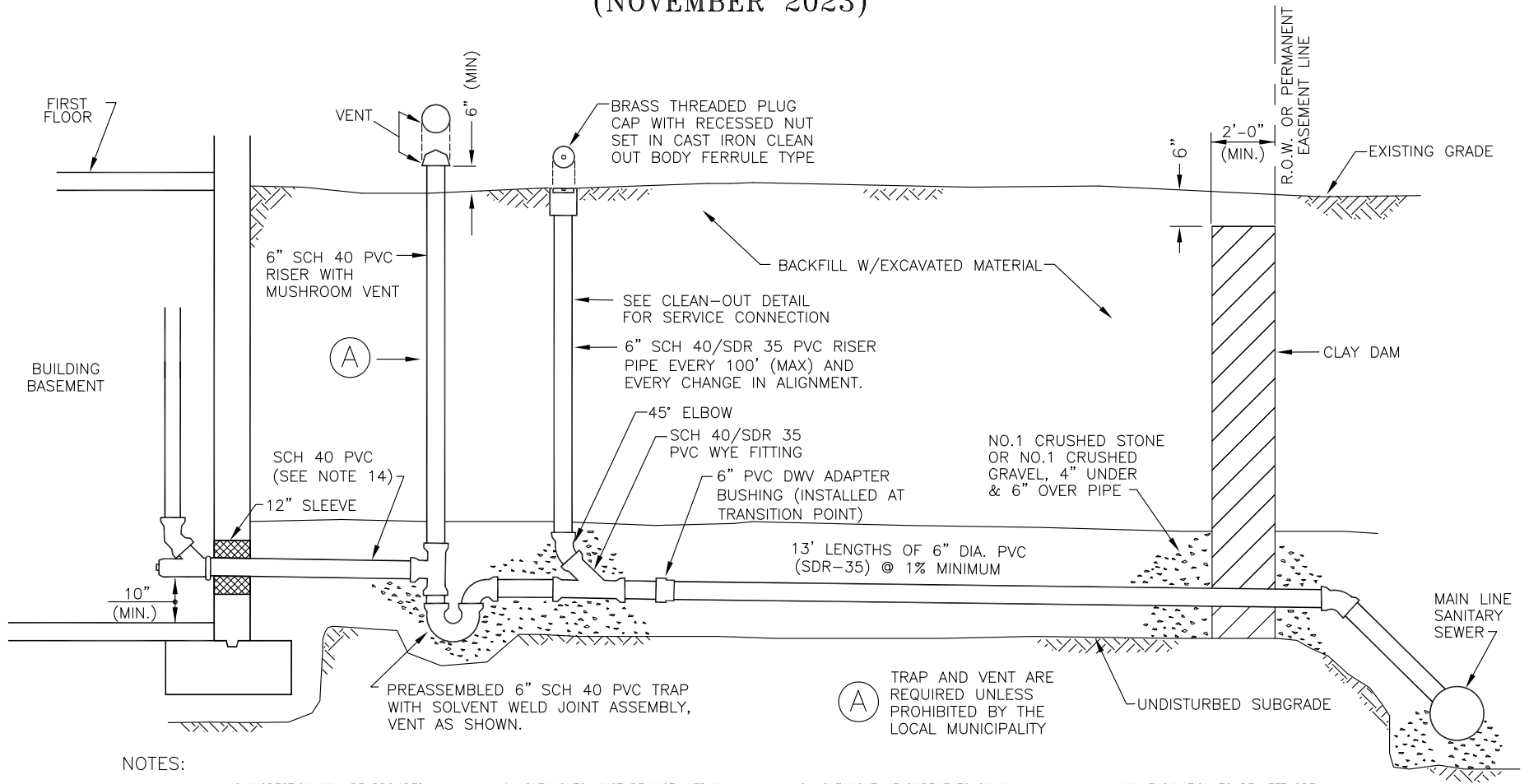
File: D-22 Date: 3/1/91

STD. DETAIL

22

TYPICAL COMMERCIAL SERVICE WITH BASEMENT DETAIL (NEW BUILDS)

(NOVEMBER 2023)



NOTES:

1. NO INSPECTION WILL BE PROVIDED WITHOUT A PERMIT. INSPECTIONS REQUIRE 48 HR. ADVANCE NOTICE FOR SCHEDULING.
2. ALL WORK MUST BE INSPECTED BY A COUNTY INSPECTOR.
3. PVC PIPE MATERIAL SHALL BE MANUFACTURED IN ACCORDANCE WITH THE REQUIREMENTS OF THE LATEST ASTM SPECIFICATION D-3033/D-3034.
4. CLEANOUTS MUST BE INSTALLED IN LAWN AREAS, NOT IN SIDEWALK OR DRIVEWAY AREAS, PREFERABLY BETWEEN THE CURB OR EDGE OF PAVEMENT AND THE SIDEWALK.
5. SELECT BACKFILL REQUIRED UNDER PAVED AREAS.
6. CONCRETE ENCASEMENT IF COVER DEPTH IS LESS THAN 4'-0" UNDER PAVED AREAS.
7. MIN. DEPTH OF COVER 3'-0".
8. CLEANOUT MEASUREMENTS SHALL START FROM CENTERLINE OF MAIN SEWER FOR NEARSIDE LATERALS AND FROM THE 6" CLEANOUT FOR FAR SIDE CONNECTIONS. A CLEANOUT MAY BE REQUIRED FOR ANY ABRUPT CHANGES IN LATERAL DIRECTION FLOW.
9. A 6" CLEANOUT IS REQUIRED AT R.O.W. WHENEVER THE MAIN SEWER IS UNDER THE PAVEMENT LIMITS OR AT FAR SIDE OF PAVEMENT.
10. SEPTIC TANKS MUST BE ABANDONED PER NYSDEC APPROVED METHODS.
11. ANY EXCAVATION TO BE LEFT OPEN OVERNIGHT SHALL BE COMPLETELY ENCLOSED IN FENCING, OR WHERE NECESSARY, COVERED WITH STEEL PLATES.
12. DOWN SPOUTS, SUMP PUMPS, AND FOOTING DRAINS ARE NOT PERMITTED TO BE CONNECTED TO THE LATERAL.
13. NO CONNECTION SHALL BE MADE UNTIL BUILDING ROOF IS ERECTED.
14. IF CAST IRON IS USED EXITING THE BUILDING, A MISSION COUPLING IS REQUIRED BEFORE THE TRAP.

ERIE COUNTY
DEPT. OF ENVIRONMENT & PLANNING
DIVISION OF SEWERAGE MANAGEMENT

Rev. 11/08	ADDED 12" SLEEVE AND PVC-SDR 35
Rev. 1/12	REVISED 6" CAST IRON TRAP NOTE
Rev. 1/18	ADDED (A) NOTE TO EXISTING VENT AND TRAP
Rev. 10/21	REMOVED VENT, RISER, TRAP ASSEMBLY & (A)
Rev. 11/23	ADDED VENT, RISER, TRAP ASSEMBLY & (A)
Rev. 3/24	CHANGED VENT, RISER, TRAP ASSEMBLY SCH 40

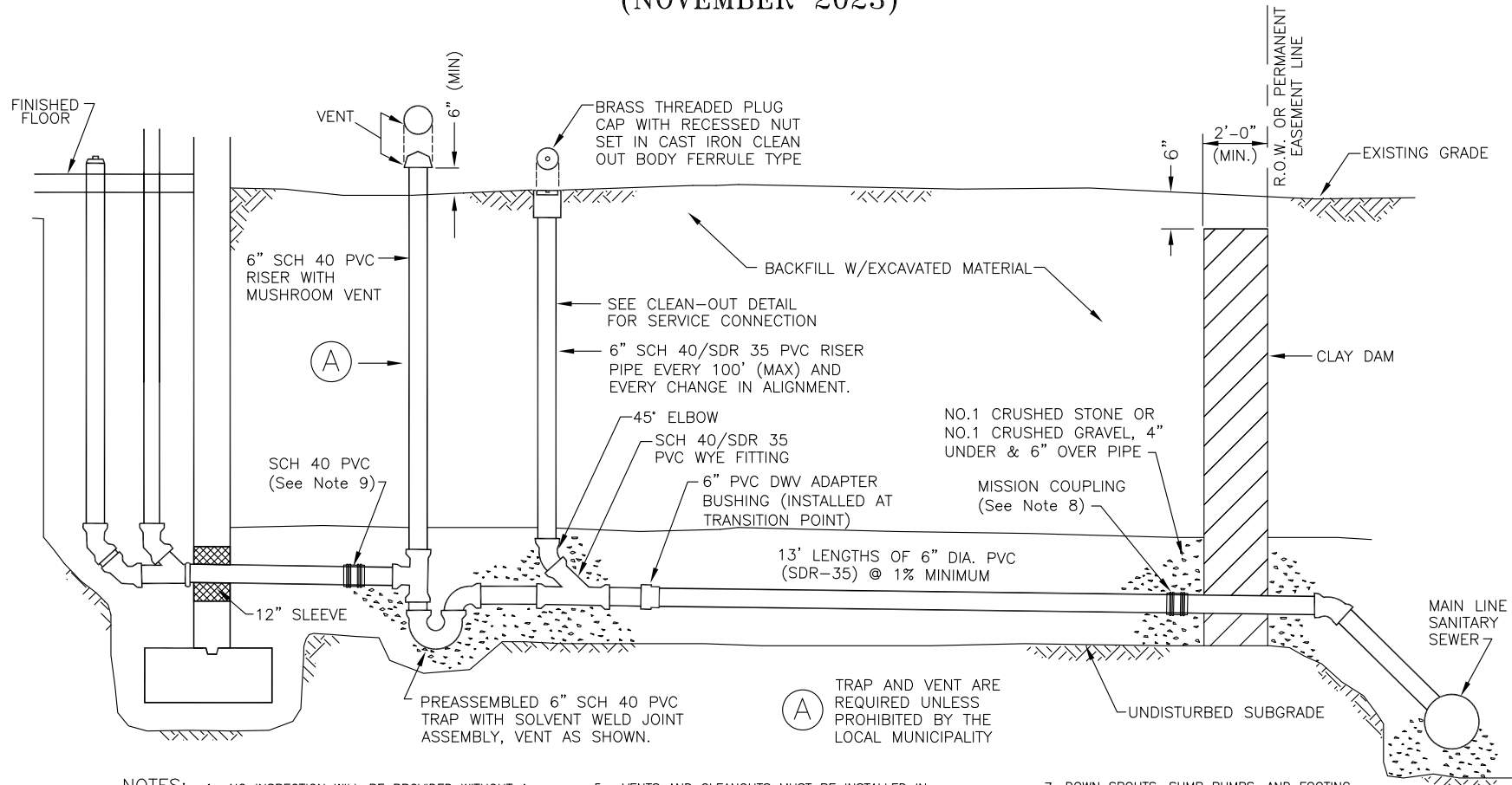
File: D-22a **Date:** 4/21/06

STD. DETAIL

22a

File: V:\DSM\Engineering\CAD\Details\Details November 2023\D-22a.dwg, Last saved: 3/15/2024, Plot Date: 3/15/2024, Plot Style: DETAILS.CTB

TYPICAL COMMERCIAL SERVICE REPAIR DETAIL – REPAIR (NOVEMBER 2023)



- NOTES:**
1. NO INSPECTION WILL BE PROVIDED WITHOUT A PERMIT. INSPECTIONS REQUIRE 48 HR. ADVANCE NOTICE FOR SCHEDULING.
 2. ALL WORK MUST BE INSPECTED BY A COUNTY INSPECTOR.
 3. PVC PIPE MATERIAL SHALL BE MANUFACTURED IN ACCORDANCE WITH THE REQUIREMENTS OF THE LATEST ASTM SPECIFICATION D-3033/D-3034.
 4. SELECT BACKFILL REQUIRED UNDER PAVED AREAS.
 5. VENTS AND CLEANOUTS MUST BE INSTALLED IN LAWN AREAS, NOT IN SIDEWALK OR DRIVEWAY AREAS, PREFERABLY BETWEEN THE CURB OR EDGE OF PAVEMENT AND THE SIDEWALK.
 6. A 6" CLEANOUT IS REQUIRED AT R.O.W. WHENEVER THE MAIN SEWER IS UNDER THE PAVEMENT LIMITS OR AT FAR SIDE OF OF PAVEMENT.
 7. DOWN SPOUTS, SUMP PUMPS, AND FOOTING DRAINS ARE NOT PERMITTED TO BE CONNECTED TO THE LATERAL.
 8. COUPLING SHALL BE MISSION TYPE, OR APPROVED EQUAL. LOCATION DEPENDS ON REPAIR.
 9. IF THE PIPE EXITING THE BUILDING IS CAST IRON, A MISSION COUPLING IS REQUIRED BEFORE THE TRAP.

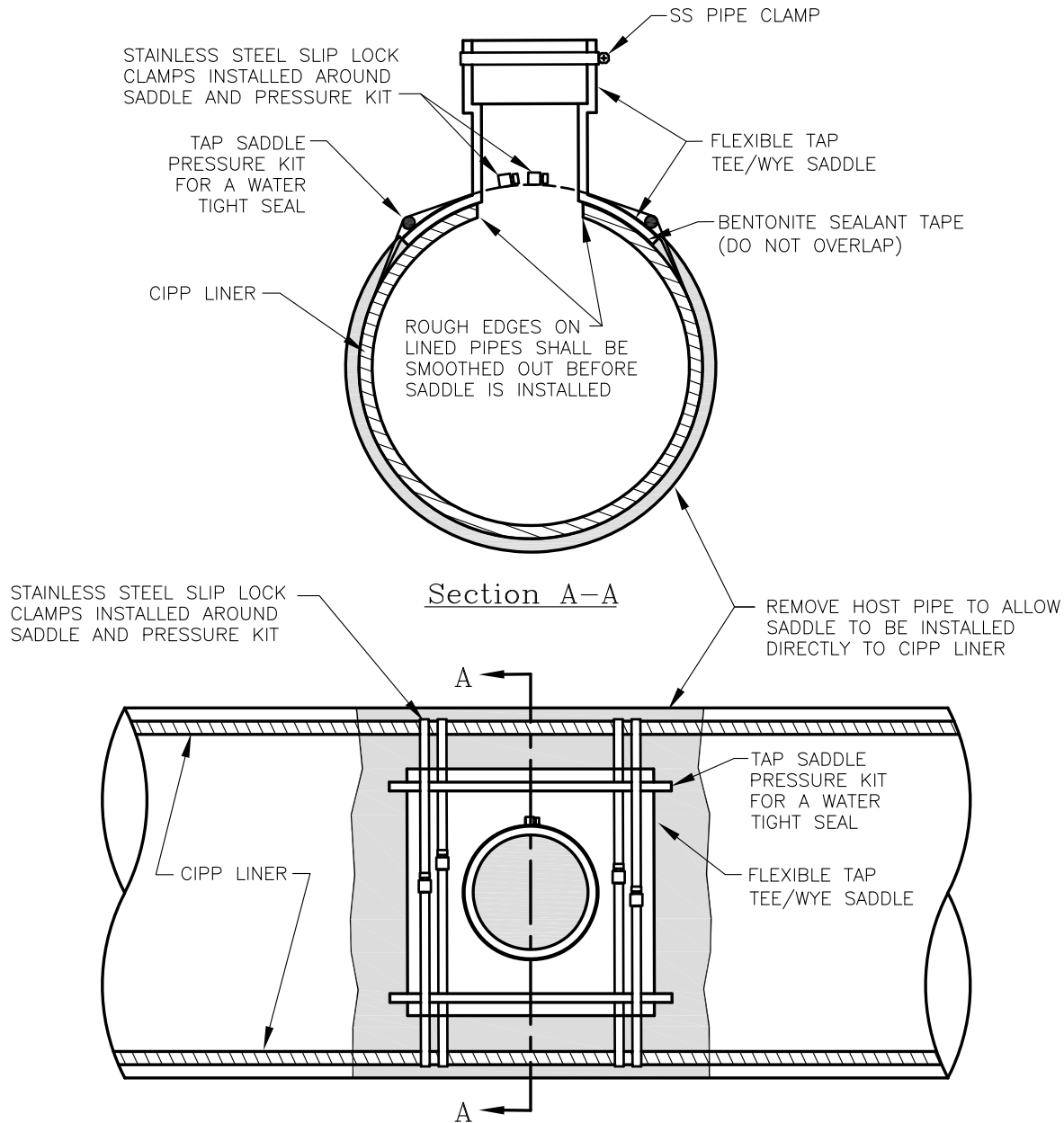
**ERIE COUNTY
DEPT. OF ENVIRONMENT & PLANNING
DIVISION OF SEWERAGE MANAGEMENT**

Rev.	1/18	ADDED "REPAIR" TO ORIGINAL DETAIL 22 TITLE, REMOVED NOTES 6, 7, 8, 10 & 13 TO CREATE DETAIL 22c
Rev.	10/21	ADDED (A) NOTE TO EXISTING VENT & TRAP
Rev.	3/24	CHANGED VENT, RISER, TRAP ASSEMBLY SCH 40
Rev.		
File:		D-22b
Date:		1/18/18

**STD. DETAIL
22b**

Tap Saddle Install on CIPPL Pipes

(NOVEMBER 2023)



NOTES:

- 1) FLEXIBLE TAP SADDLE SHALL BE FERNCO MODEL TST-4, TST-6, TSW-4, OR TSW-6, WITH TSPK-46 PRESSURE KIT, OR APPROVED EQUIVALENT.
- 2) FOR NEW LATERAL TAP-IN CONNECTIONS, LINED PIPE SHALL BE CORE DRILLED.
- 3) WHERE EXISTING LATERAL TAPS ARE LESS THAN 6" DIAMETER, CONNECTION SHALL BE MODIFIED/ENLARGED TO 6" DIAMETER UNLESS APPROVED BY ENGINEER.

ERIE COUNTY
DEPT. OF ENVIRONMENT & PLANNING
DIVISION OF SEWERAGE MANAGEMENT

Rev. 1	
Rev. 2	
Drawn by: W.J.L.	Scale: NTS
File: D-21&22B	Date: NOV-23

STD. DETAIL

21&22B