

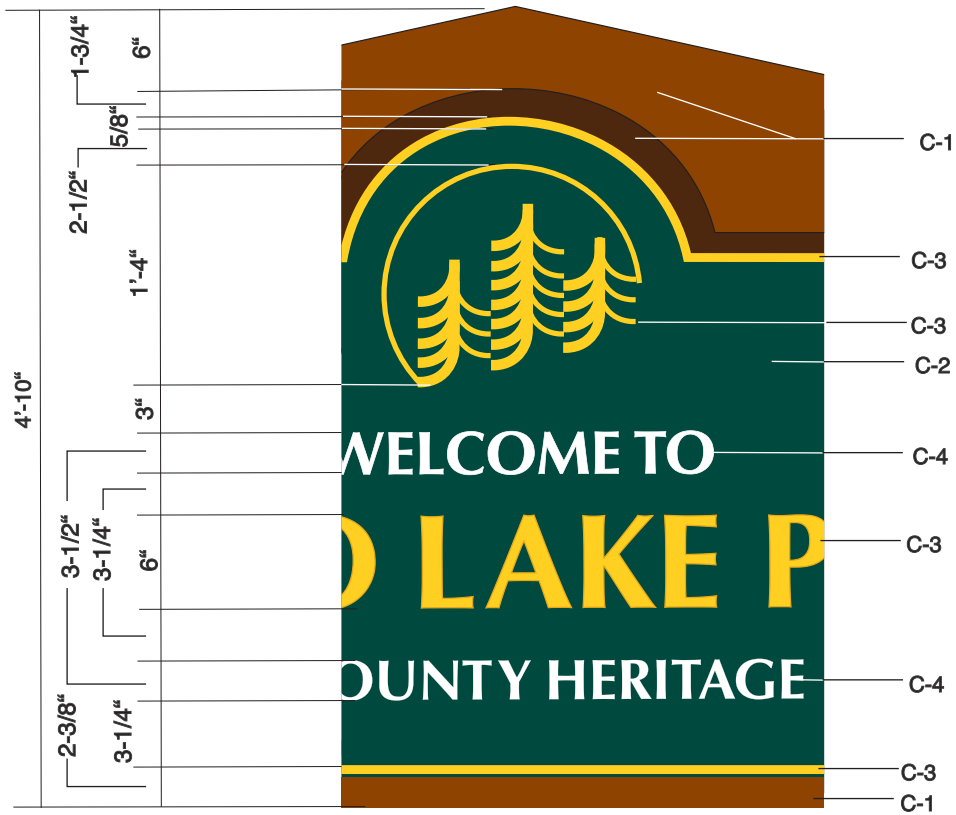
APPENDIX C
SIGN DETAILS



NOTES:

1. Sign panel to be fabricated aluminum mounted on fieldstone foundation.
2. Sign panel color (C-1) and message field (C-2) to be painted surfaces.
3. Text, logo and rules to be reflective scotchlite.
4. See Detail S-1A for graphics dimensions and colors.
5. See Detail S-1B for mounting and sections.
6. Rule to be 5/8" and 1-3/4" from sign edges.
7. Refer to technical specifications for masonry assemblies and sign assemblies, including finishes.

Type A-1 Park Identification	
Erie County Park System	S-1



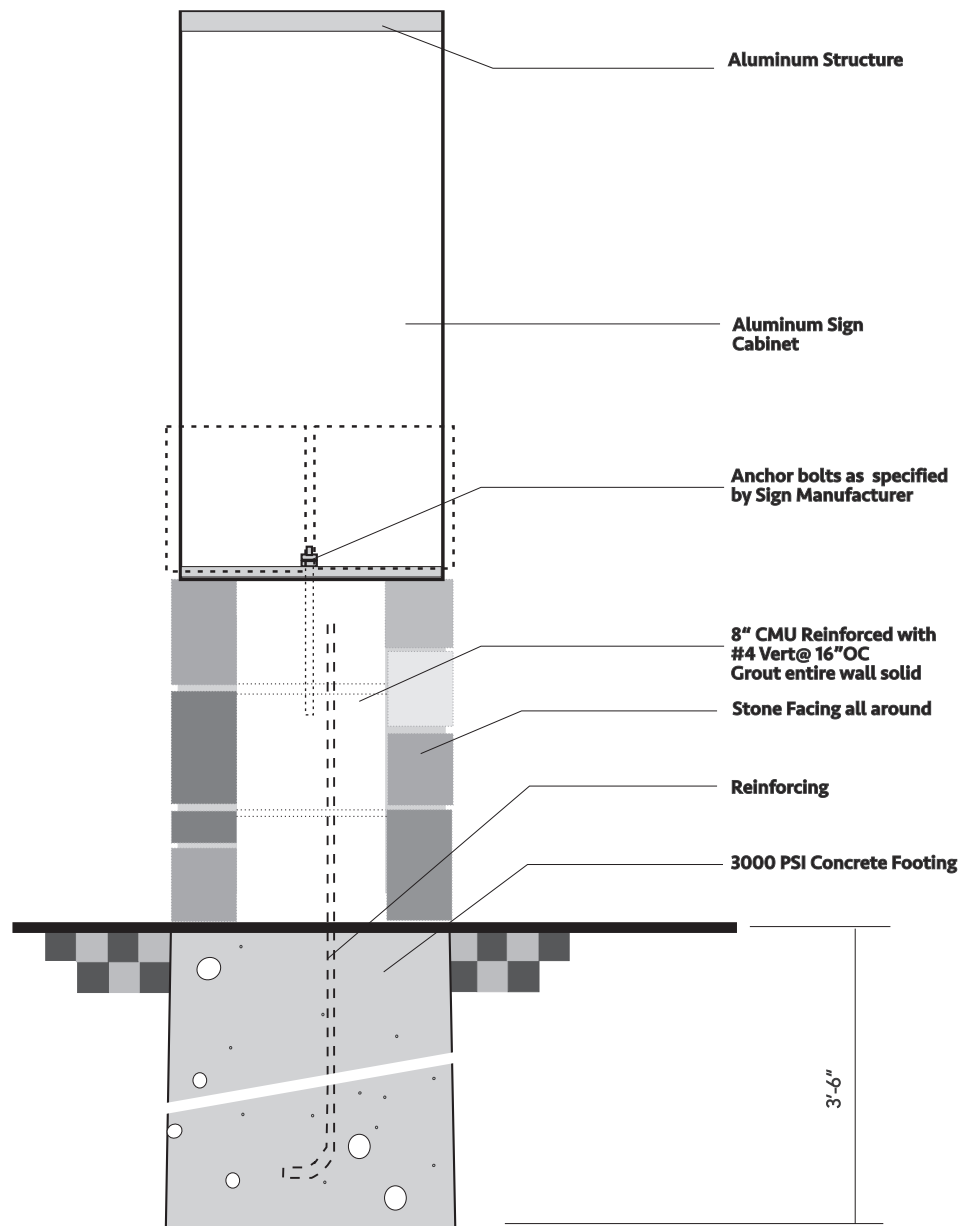
Color Notation:

- C-1 FABRICATED ALUMINUM CAP, FACES AND RETURNS PAINTED PMS 469 C BROWN (SFP)
- C-2 INNER FACE SHAPE PAINTED PMS 3302 C GREEN (SFP)
- C-3 LOGO, BORDER & PARK NAME 3M 280-71 REFLECTIVE YELLOW (SLTV)
- C-4 REMAINING COPY 3M 280-10 REFLECTIVE WHITE (SLTV)

NOTES:

1. Copy to be Optima Bold.
2. Refer to technical specifications for sign assemblies, including finishes.

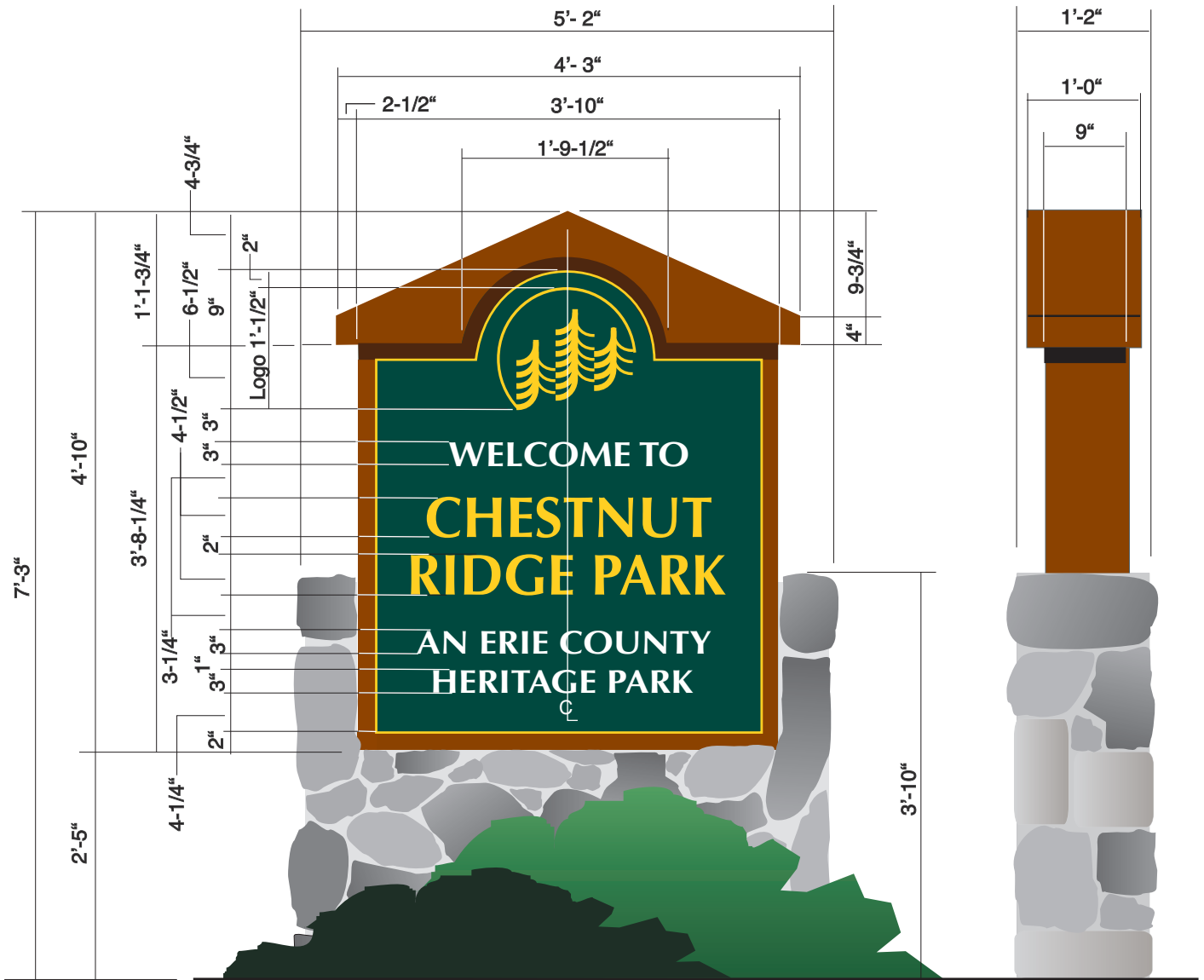
Type A-1 Park Identification Colors and Sizing Detail	
Erie County Park System	S-1A



NOTES:

1. Fabricate Aluminum sign cabinet on stone base as shown above for Type A-1 and Type A-2 signs.
2. Use 3000 PSI Concrete footing under all portions of block and stone base.
3. The cost of excavation, foundation and installation is included in the cost of the sign items.
4. Sign Manufacturer will provide template to Mason for location of anchor bolts.
5. Foundations are a Delegated Design to the Contractor. Contractor shall submit full shop drawings, sealed by a Licensed Professional Engineer, showing dimensions, material selections, reinforcing, embedments or anchors for attachment, and wind load calculations for each sign type.

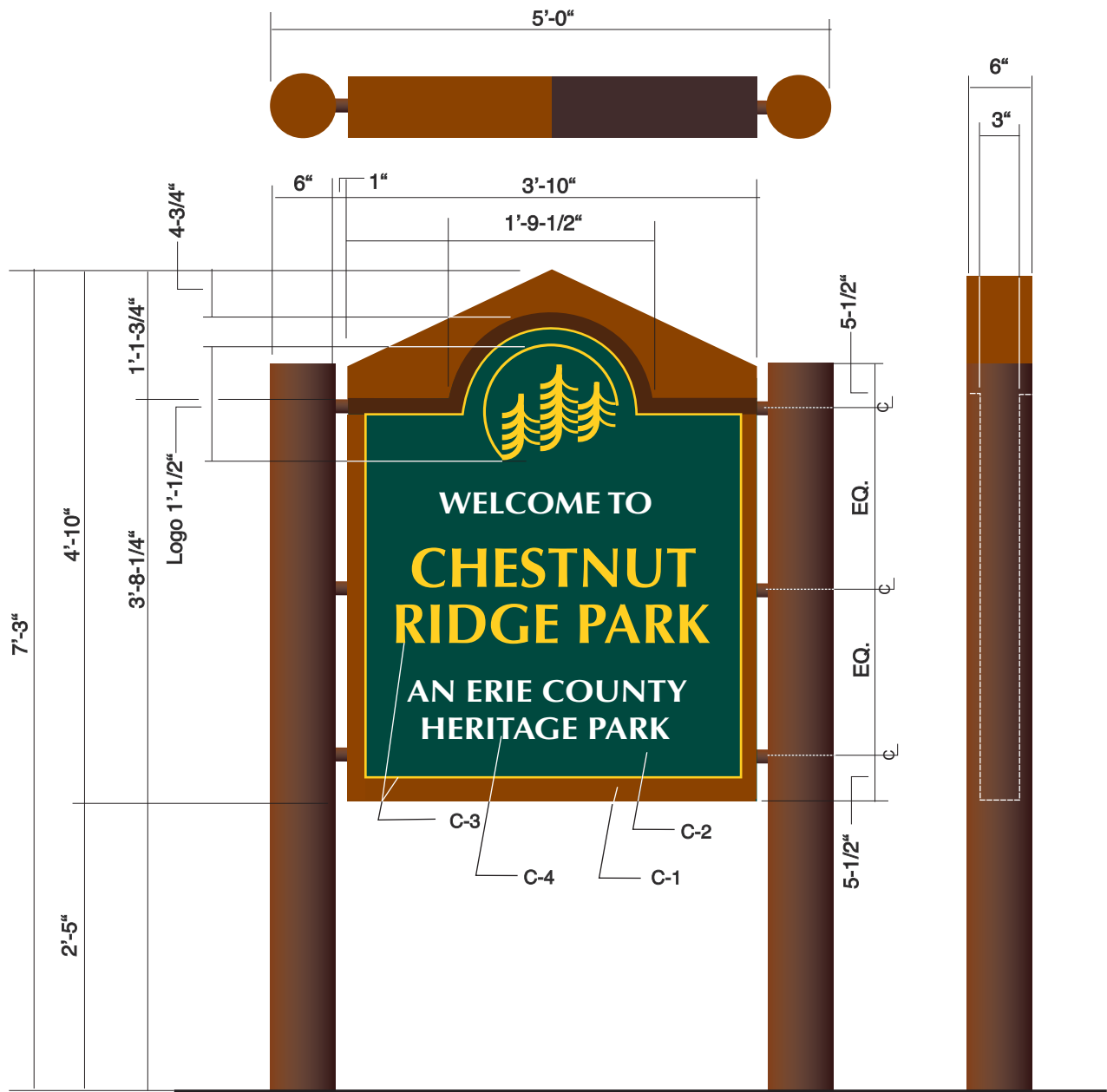
Type A-1 and A-2 Section	
Erie County Park System	S-1B



NOTES:

1. Sign fabrication, graphics, colors and mounting same as Type A-1.
2. See Detail S-1B for mounting and sections.
3. Rule to be 1/2" and 1-1/2" from sign panel edge.
4. Maintain minimum margin for text at 3-1/2" from rule on right and left. Sizing of park name may be adjusted as required to fit within allotted space.
5. Copy to be Optima Bold.
6. Refer to technical specifications for masonry assemblies and sign assemblies, including finishes.

Type A-2 Identification Sign	
Erie County Park System	S-2



NOTES:

1. Sign panel to be fabricated aluminum with Scotchlite reflective vinyl graphics for text, logo and rules.
2. Sign panel color (C-1) and message field (C-2) to be painted surfaces.
3. Round posts and connecting rods to be aluminum and painted to match C-1.
4. Message panel is set back 1-1/2" from gabled top section on each elevation.
5. See Detail PP-FDN for mounting and foundation.
6. Typographic layout and sizing same as Type A-2.
7. Copy to be Optima Bold.
8. Refer to technical specifications for sign assemblies, including finishes.

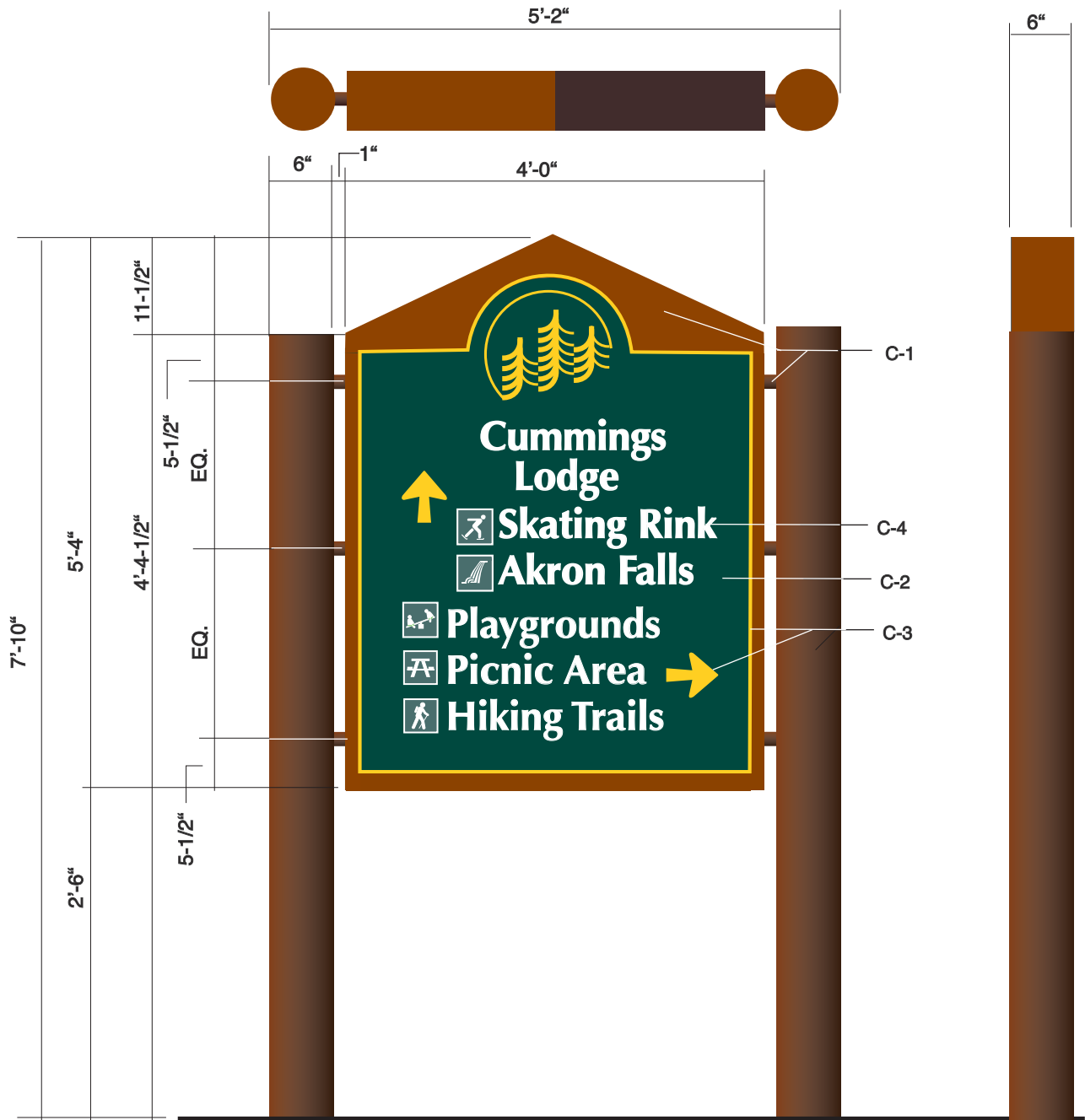
Type B-1 Park Identification	
Erie County Park System	S-10



NOTES:

1. Sign panel to be fabricated aluminum with Scotchlite reflective vinyl graphics for text, logo and rules.
2. Sign panel color (C-1) and message field (C-2) to be painted surfaces.
3. Rule to be 1/2" and 1-1/2" from sign panel left, right and bottom edges.
4. Maintain minimum margin for text at 2-1/2" from rule on right and left. Sizing of park name may be adjusted as required to fit within allotted space.
5. Copy to be Optima Bold.
6. Sign to be mounted onto existing stone pylons with mounting studs welded to back of sign panel. Set mounting studs with epoxy in holes drilled in stone pylon.

Type C-1A Park and Building Identification	
Erie County Park System	S-20A



NOTES:

1. Sign panel to be fabricated aluminum with non-reflective vinyl graphics for text, directional arrows, logo, pictographs and rules.
2. Panel color (C-1) and message field (C-2) to be painted surfaces.
3. Round posts and connecting rods to be aluminum and painted to match C-1.
4. Copy to be Optima Bold.
5. See Detail S-30A for graphics dimensions and colors.
6. See Detail PP-FDN for mounting and foundation.

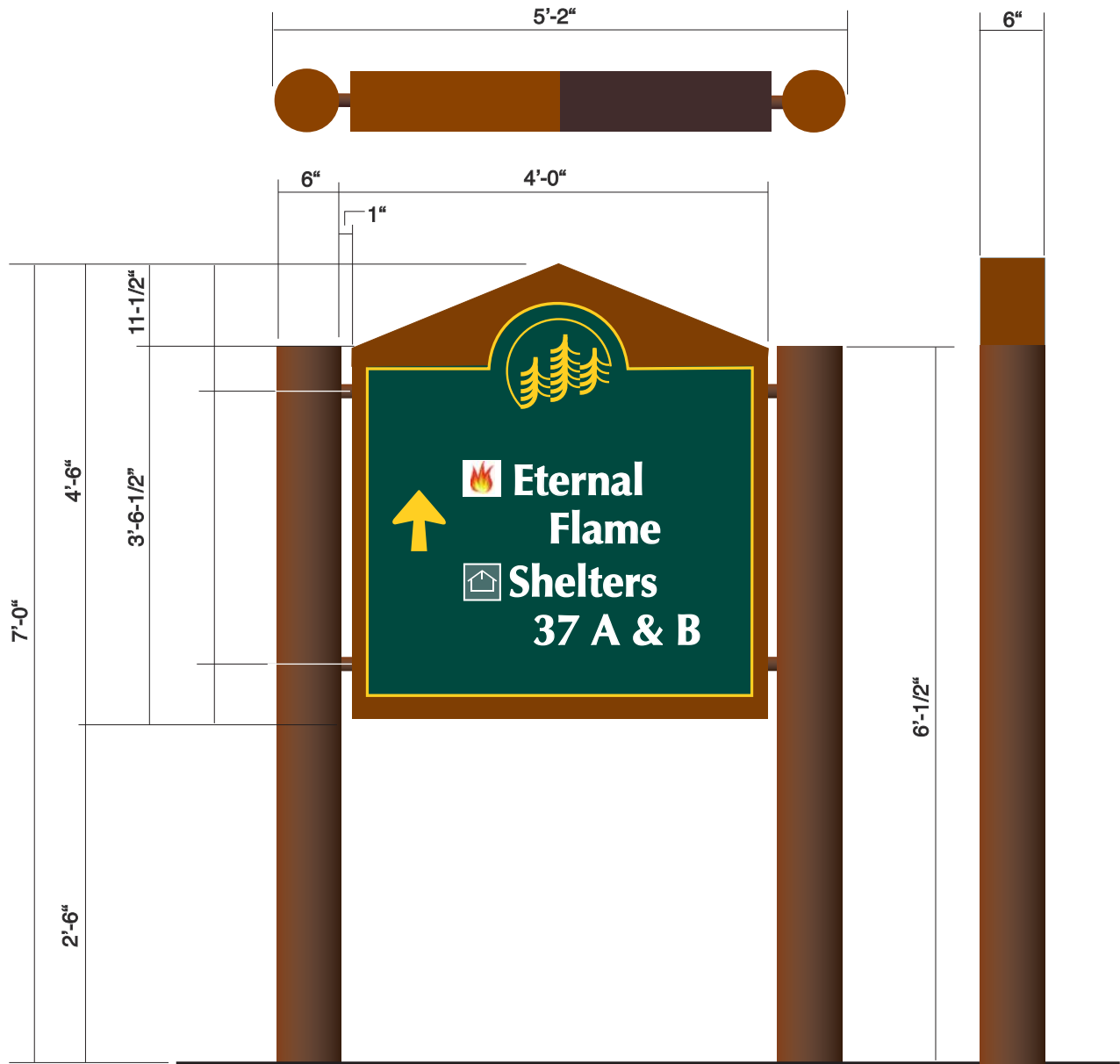
Type D-1 Large Vehicular Directional Sign	
Erie County Park System	S-30



NOTES:

1. Rule to be 1/2" and 1-1/2" from panel edges.
2. Place Left and Up arrows on left side of copy blocks and Right arrows on right side of copy blocks.
3. Center arrows on copy block and center copy blocks horizontally with no graphics within 3" of rule.
4. For messages that exceed one line, indent continued lines 3-1/2".
5. Pictographs to be 4" x 4", centered on copy and 1-1/2" apart if used in combination.
6. Use 1-3/4" between lines that are continued messages. Use 2-3/8" for all other spacing within a copy block.
7. Use 3" spacing between copy blocks.

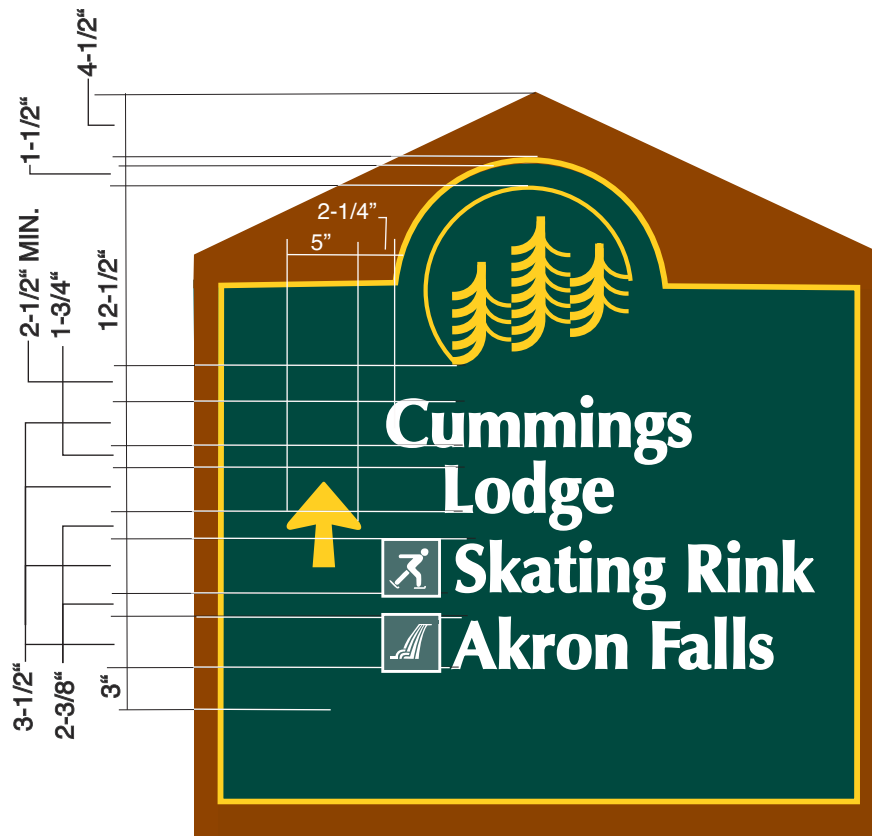
Type D-1 Vehicular Directional Graphics Detail	
Erie County Park System	S-30A



NOTES:

1. Sign panel to be fabricated aluminum with non-reflective vinyl graphics for text, directional arrows, logo, pictographs and rules.
2. Panel color (C-1) and message field (C-2) to be painted surfaces.
3. Round posts and connecting rods to be aluminum and painted to match C-1.
4. Copy to be Optima Bold.
5. See Detail S-31A for graphics dimensions and colors.
6. See Detail PP-FDN for mounting and foundation.

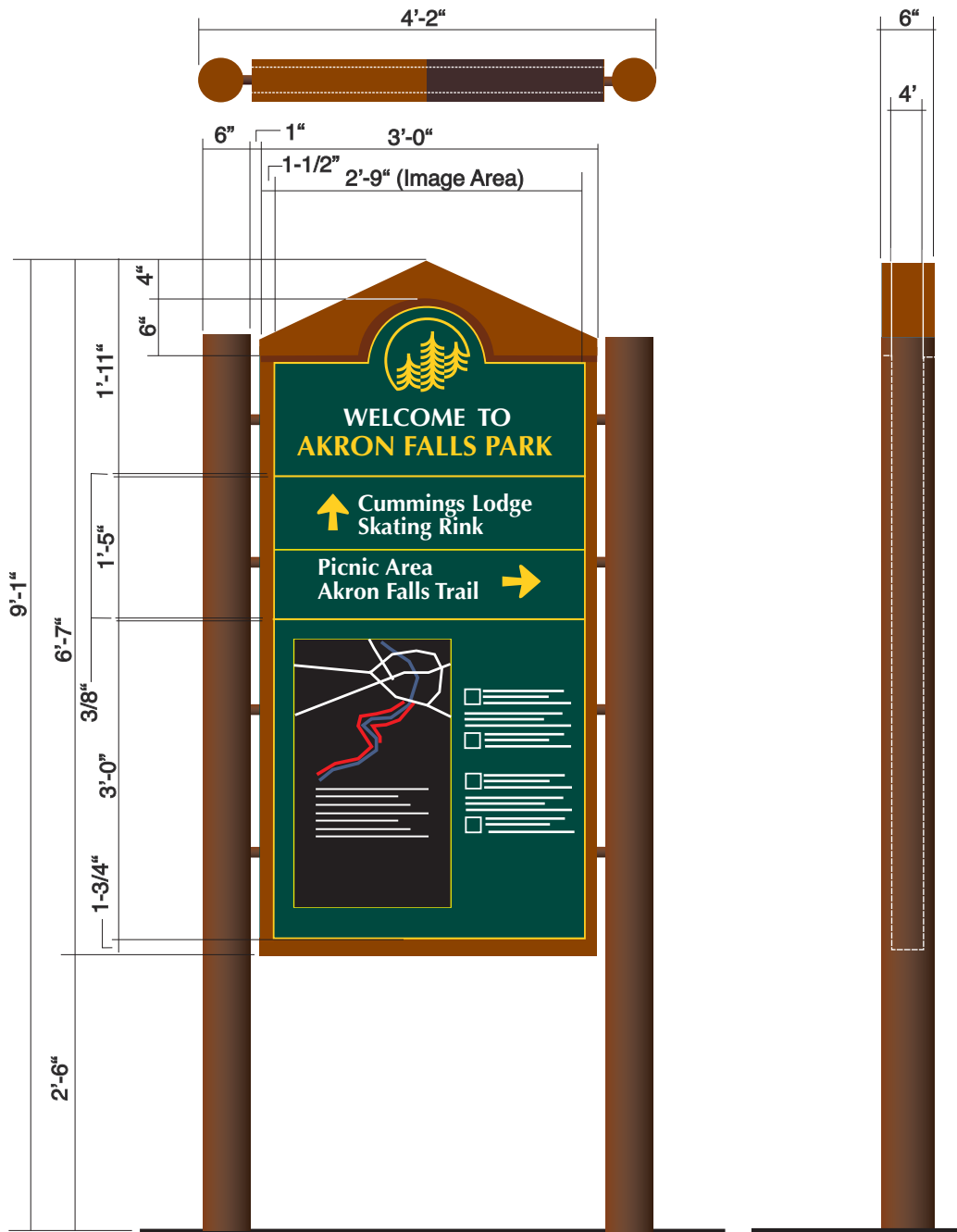
Type D-2 Small Vehicular Directional	
Erie County Park System	S-31



NOTES:

1. Rule to be 1/2" and 1-1/2" from panel edges.
2. Place Left and Up arrows on left side of copy blocks and Right arrows on right side of copy blocks.
3. Center arrows on copy block and center copy blocks horizontally with no graphics within 3" of rule.
4. For messages that exceed one line, indent continued lines 3-1/2".
5. Pictographs to be 4" x 4", centered on copy and 1-1/2" apart if used in combination.
6. Use 1-3/4" between lines that are continued messages. Use 2-3/8" for all other spacing within a copy block.
7. Use 3" spacing between copy blocks.

Type D-2 Vehicular Directional Graphics Detail	
Erie County Park System	S-31A



NOTES:

1. Fabrication will include aluminum box panel core, Phenolic Resin changeable message panels and aluminum posts. Art for logo, map graphics and narrative will be furnished by Owner.
2. Heading and directional text to be Optima Bold.
3. See drawings S-50A through S-50C for graphics sizing and fabrication details.

Type F-1 Primary Orientation, Phenolic Resin Panels	
Erie County Park System	S-50

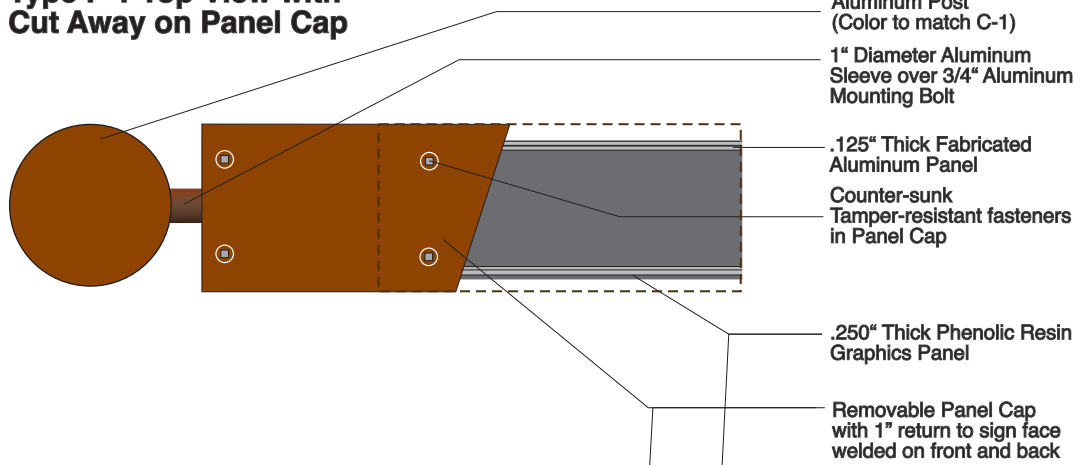


NOTES:

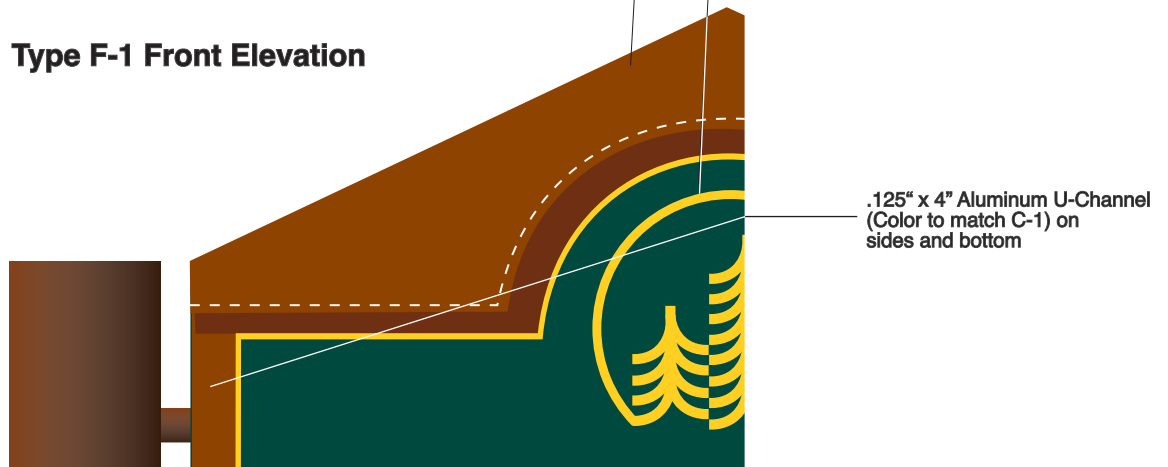
1. Place Left and Up arrows on left side of copy blocks and Right arrows on right side of copy blocks.
2. Center arrows on copy block and center copy blocks horizontally with no graphics within 2" of rule.
3. For messages that exceed one line, indent continued lines 2-1/2".
4. Use 3/4" spacing between lines involving continued messages.
5. Use 3/16" divider centered between copy blocks.

Type F-1 Primary Orientation - Graphics Detail	
Erie County Park System	S-50A

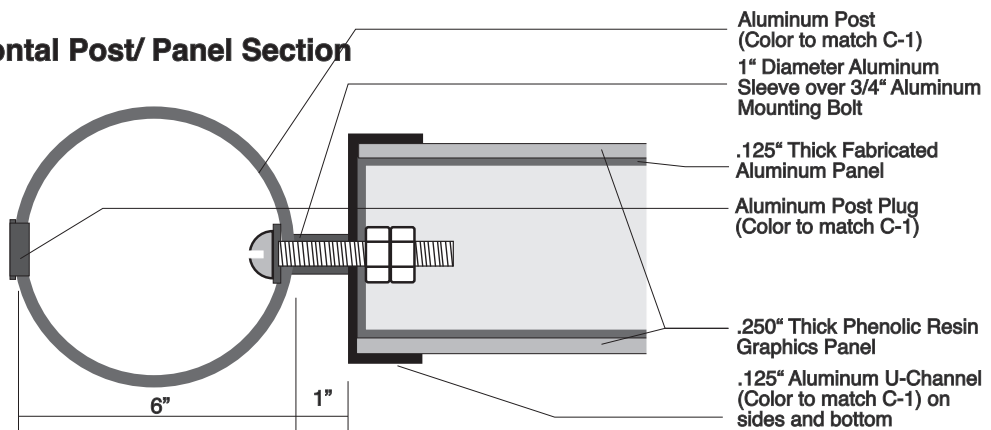
Type F-1 Top View with Cut Away on Panel Cap



Type F-1 Front Elevation



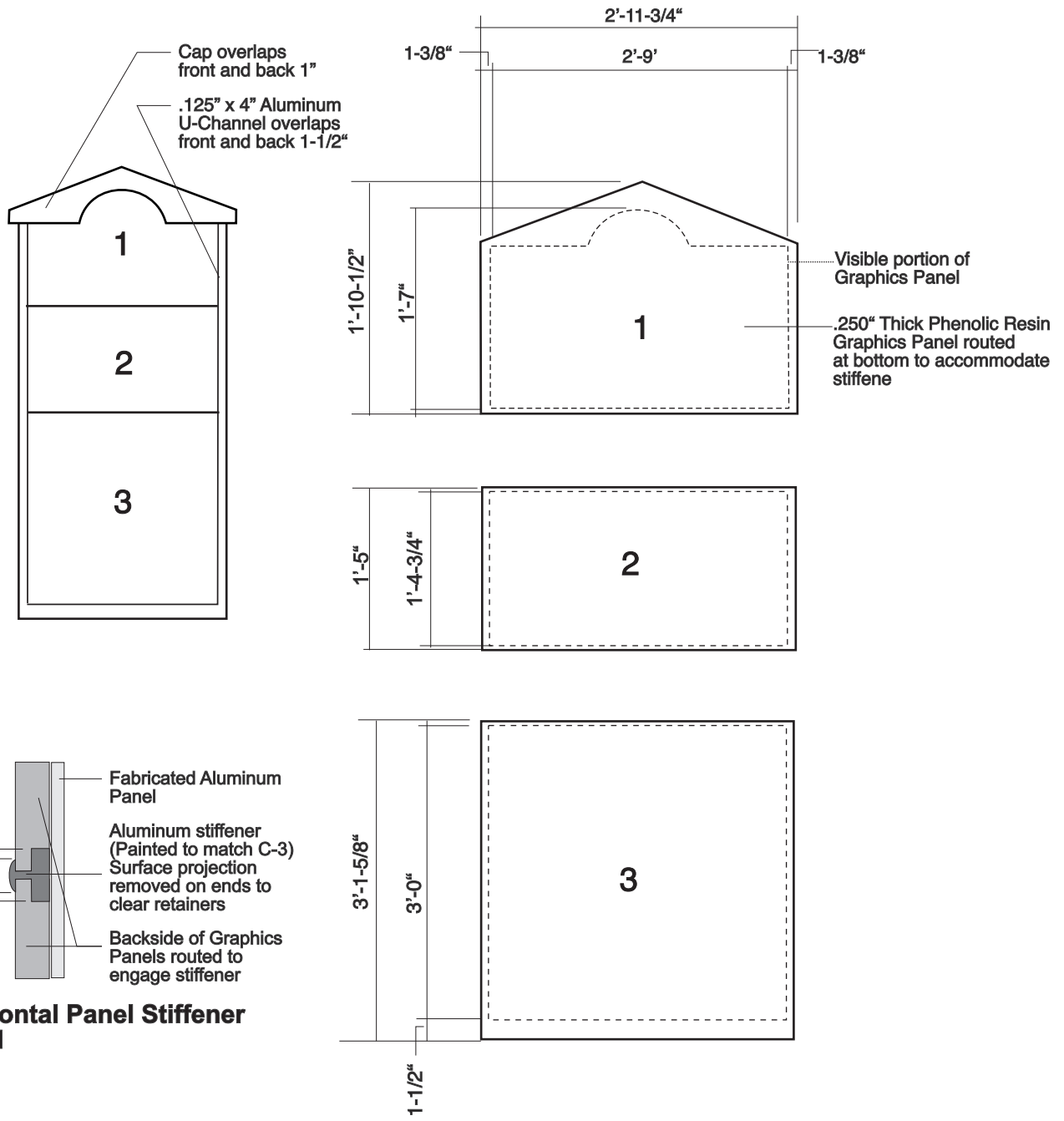
Horizontal Post/ Panel Section



Type F-1 Primary Orientation Fabrication Details

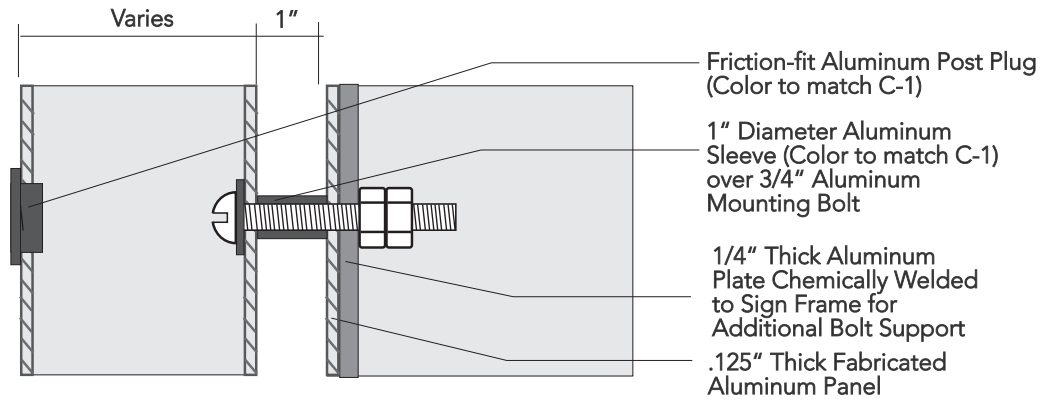
Erie County Park System

S-50B

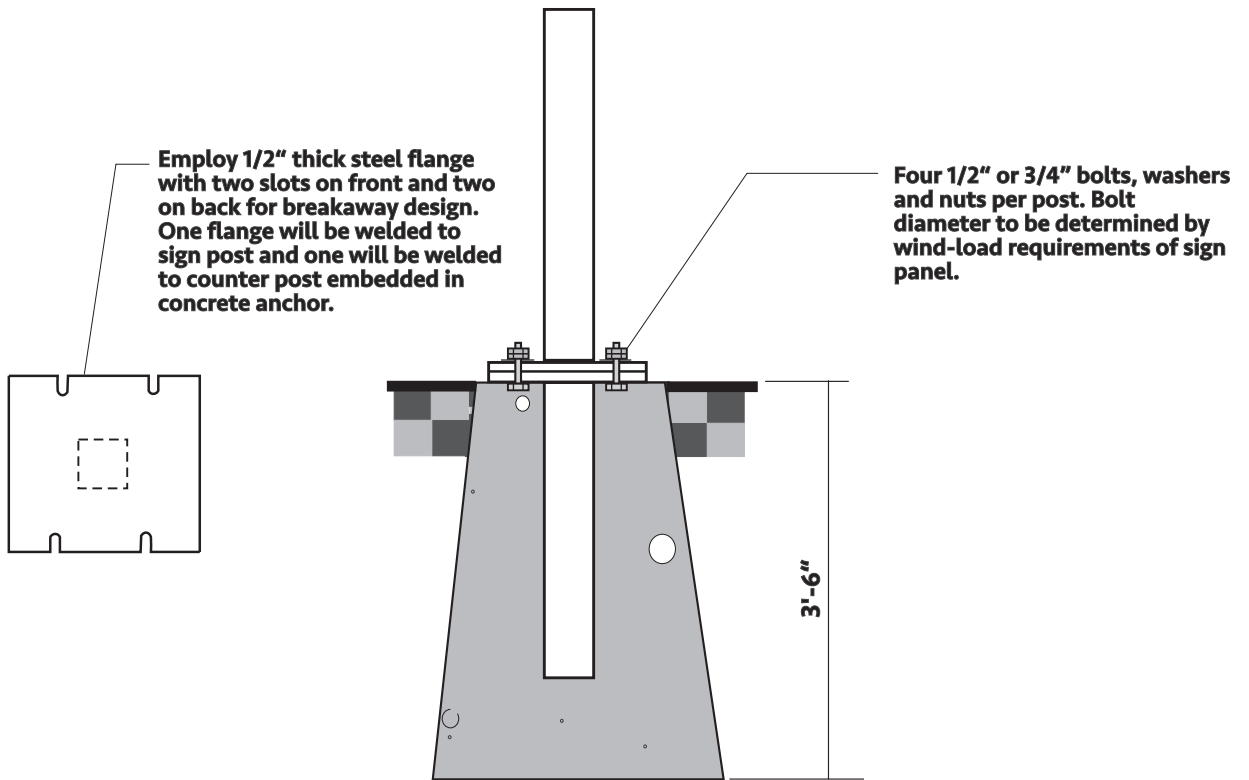


NOTES: 1. Changeable Panels to be .250" Thick Phenolic Resin Graphics Panel with routed faces as depicted above. All Panels will be inserted behind U-Channel around perimeter on front and back.

Type F-1 Primary Orientation Changeable Panel Detail	
Erie County Park System	S-50C



Post & Panel Section

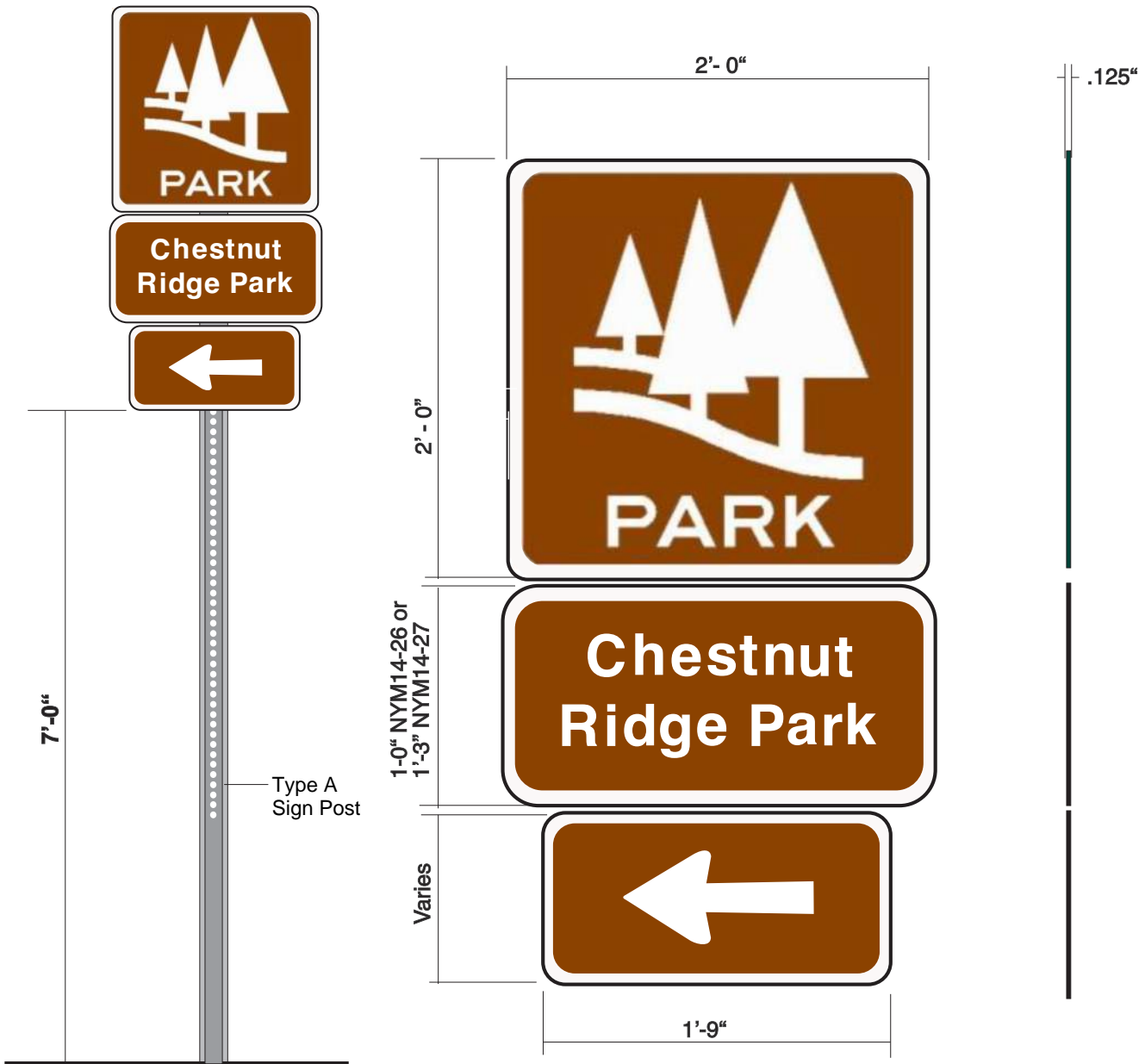


NOTES:

Foundation Detail

1. Use foundation detail shown above for Types B-1, B-2, B-3, B-5, D-1, D-2, F-1 and H-1.
2. Unless otherwise indicated, assume mounting surfaces are undisturbed soil.
3. Foundations are a Delegated Design to the Contractor. Contractor shall submit full shop drawings, sealed by a Licensed Professional Engineer, showing dimensions, material selections, reinforcing, embedments or anchors for attachment, and wind load calculations for each sign type.”
4. The cost of excavation, foundation and installation is included in the cost of the sign items.

Post and Panel Mounting and Foundation Detail	
Erie County Park System	PP-FDN

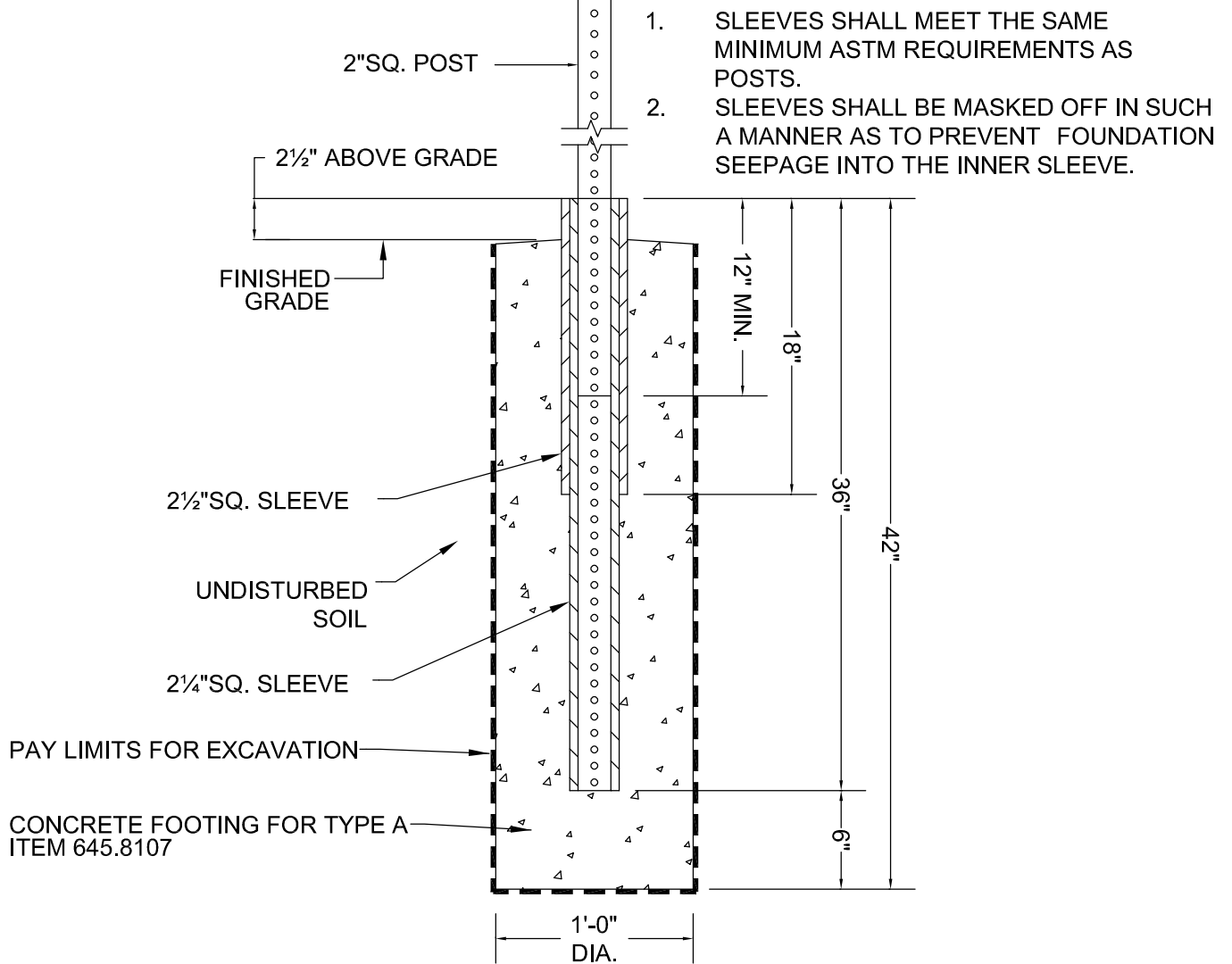


NOTES:

1. Use standard aluminum NYSDOT park pictograph sign (NYM8-5) with one or two line message panel below, Place either the one line message format (NYM14-26) or two line message format (NYM14-27) below park pictograph. The park name panels and arrow panels may vary in size depending upon the length of the park name and the type of arrow.
2. Use Sign standard NYSDOT typography formats as required.
3. Use MUTCD arrow formats (Sign height varies with format selected):
 - M5-1 - Stemmed Arrow
 - M6-1 - Right or Left Arrow
 - M6-2 - Angled Arrow
 - M6-3 - Vertical (Straight Ahead) Arrow

Type D-3 Trailblazer Sign	
Erie County Park System	S-32

SIGN POST AND FOUNDATION



1. SLEEVES SHALL MEET THE SAME MINIMUM ASTM REQUIREMENTS AS POSTS.
2. SLEEVES SHALL BE MASKED OFF IN SUCH A MANNER AS TO PREVENT FOUNDATION SEEPAGE INTO THE INNER SLEEVE.

NOTES:

1. GENERAL: ALL SIGN MATERIAL AND INSTALLATIONS SHALL CONFORM TO THE LATEST NEW YORK STATE DEPARTMENT OF TRANSPORTATION (NYSOT) STANDARD SPECIFICATIONS AND STANDARD SHEETS EXCEPT AS MODIFIED BY THESE PLANS AND CONTRACT DOCUMENTS.
2. ALL ALUMINUM SIGN PANELS SHALL CONFORM TO THE REQUIREMENTS OF NYSOT MATERIAL SPECIFICATIONS 715-04, WROUGHT ALUMINUM AND 645-2.02 FOR MATERIAL THICKNESS.
3. SIGN POSTS AND FOOTINGS: SIGN POSTS AND BASE SECTION SHALL BE AT LEAST 12 GAGE GALVANIZED PERFORATED SQUARE STRUCTURAL STEEL TUBING MEETING REQUIREMENTS OF ASTM DESIGNATION A-466 GRADE A.
4. CONCRETE FOOTINGS SHALL BE CLASS A CONCRETE AND REST AGAINST UNDISTURBED SOIL.
5. IN CURBED AREAS, A 3'-0" HORIZONTAL SETBACK FOR POSTS IS DESIRABLE WITH A 2'-0" MINIMUM. IN NO CASE SHALL A SIGN PANEL EXTEND WITHIN 6" OF THE CURB LINE.
6. BOTTOM OF SIGN PANEL SHALL BE 7'-0" ABOVE FINISHED GRADE.



www.wendelcompanies.com

TYPE A SIGN POST
ITEM 645.81

FOR TYPE D-3 SIGNS

Proj. No.

Date

Ref. Dwg.

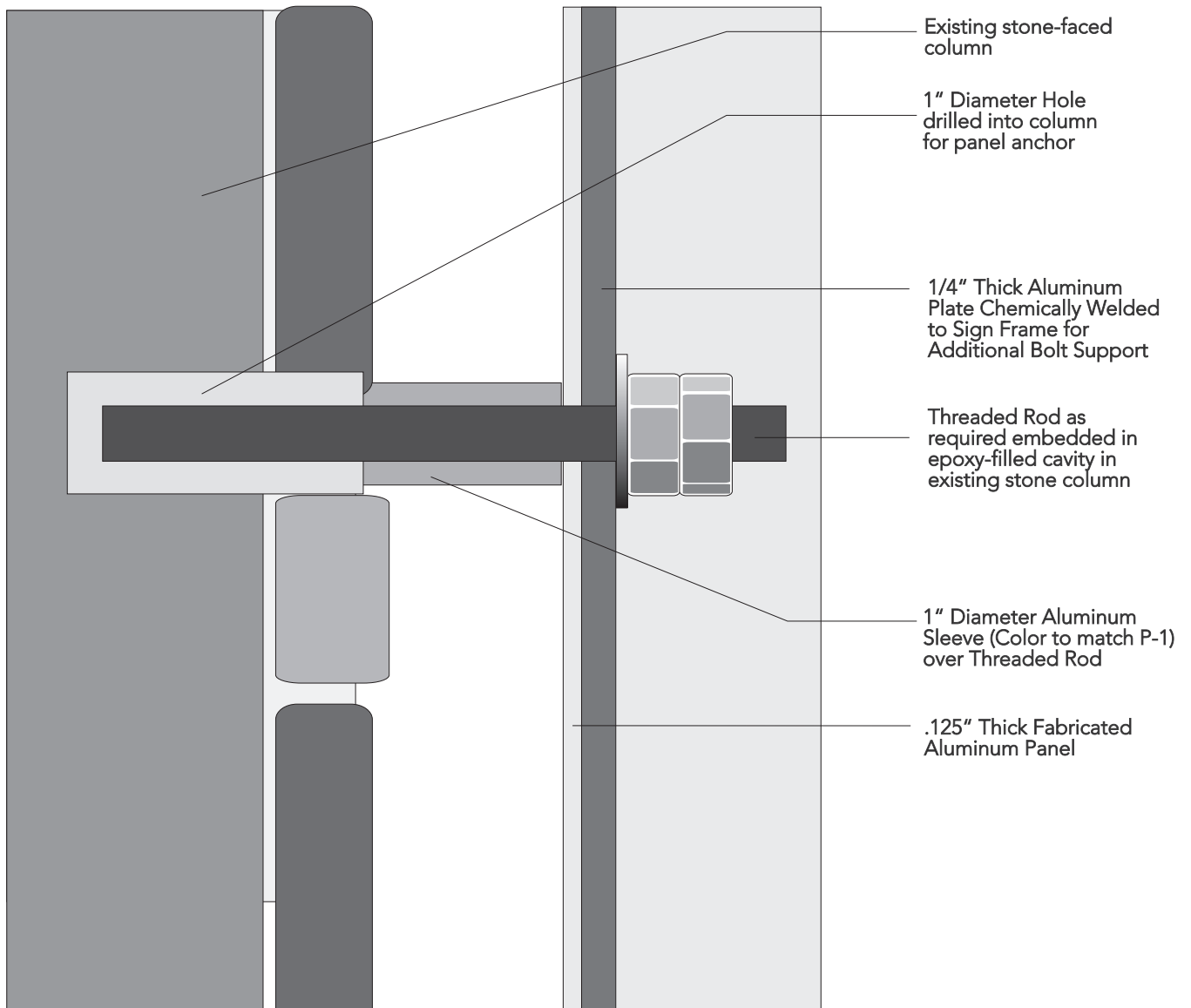
No.



NOTES:

1. Sign panel to be fabricated aluminum mounted between existing stone columns at Black Rock Canal Park.
2. Sign panel color (C-1) and message field (C-2) to be painted surfaces.
3. Text, logo and rules to be reflective scotchlite. Text to be Optima Bold.
4. Rule to be 5/8" and 1-3/4" from sign edges.

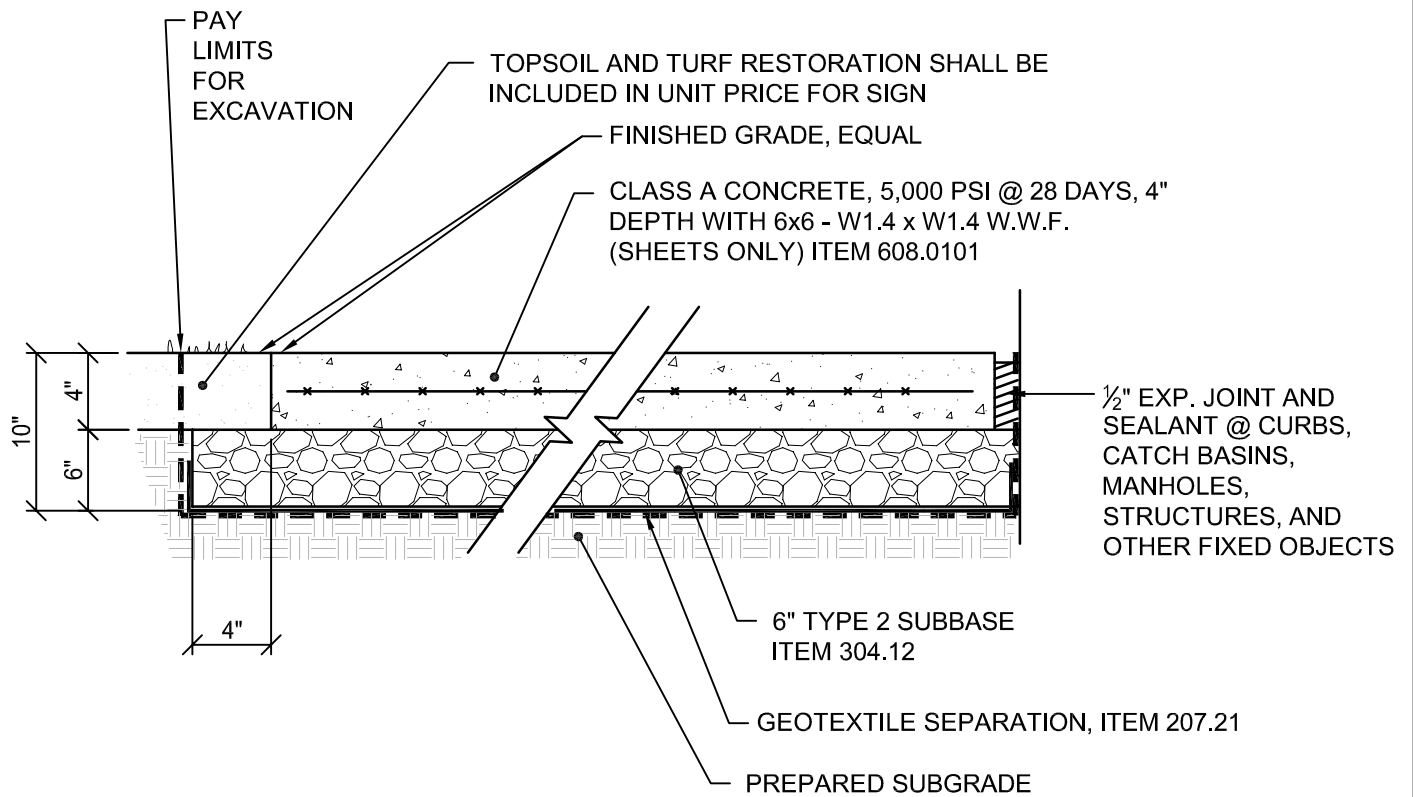
Type X-5 Park Identification	
Erie County Park System	S-105



NOTES:

1. Use this connection detail for all Type X signs.

Type X Panel/ Column Connection Detail	
Erie County Park System	S-100A



www.wendelcompanies.com

STANDARD DUTY CONCRETE PAVEMENT

Proj. No.

Date

Ref. Dwg.

No.